

DESCRIPTIONS



Capacity: 10 x 1/1 GN - 60x40



Trays insertion: Crosswise



Dimensions: 790 x 830 x H 1450 mm



Control panel: Digital



Positive cycle: 25 kg
Negative cycle: 15 kg

GAS

R452A

Climate class

Class N

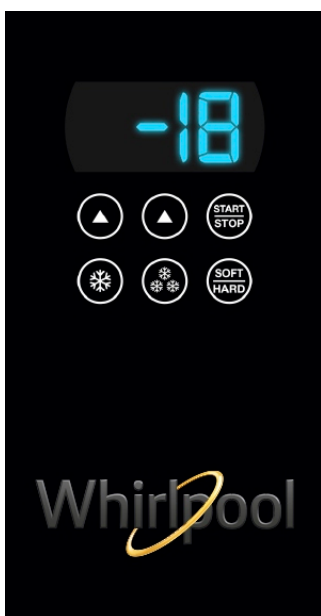
Insulation thickness: 60 mm

Refrigerant power: 1.17 kW



Electric power: 1.21 kW

CONTROL PANEL DESCRIPTION



	Blast chilling key
	Deep freezing key
	Hard blast chilling or Soft deep freezing key
	Start/stop (on/off) key
	Increase value key
	Decrease value key

MANUFACTURING FEATURES

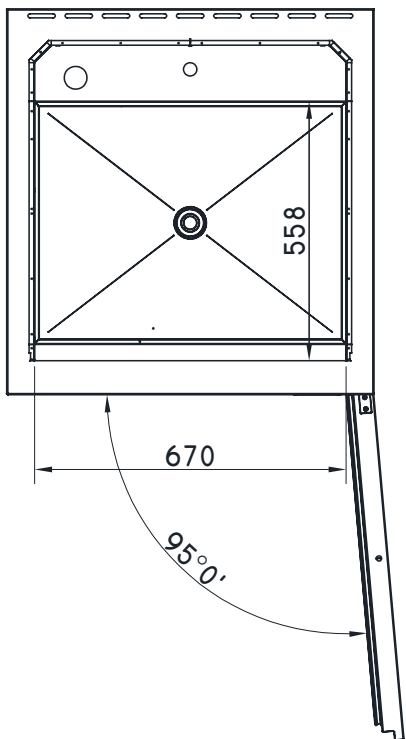
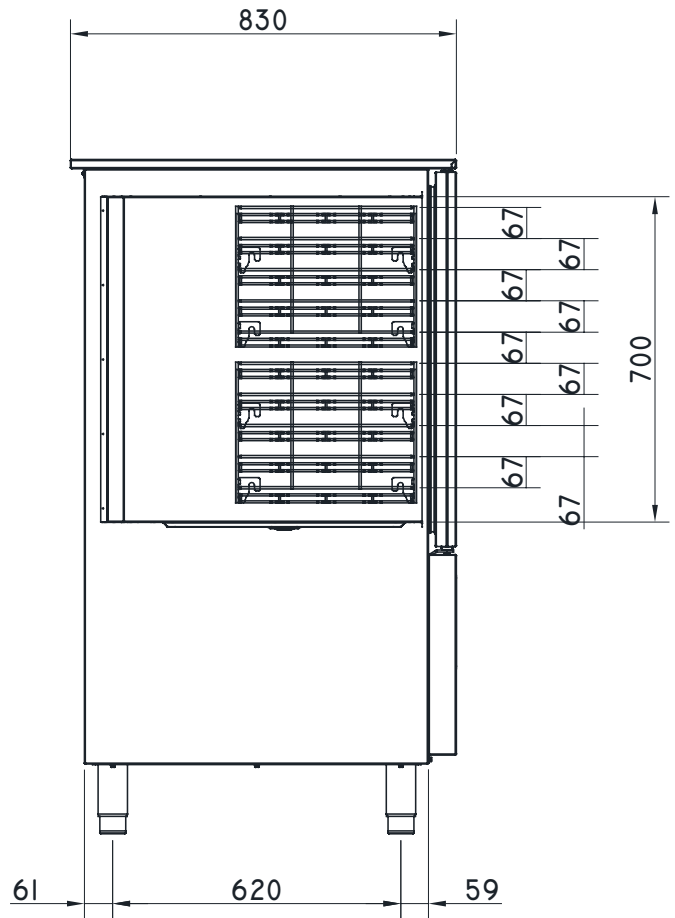
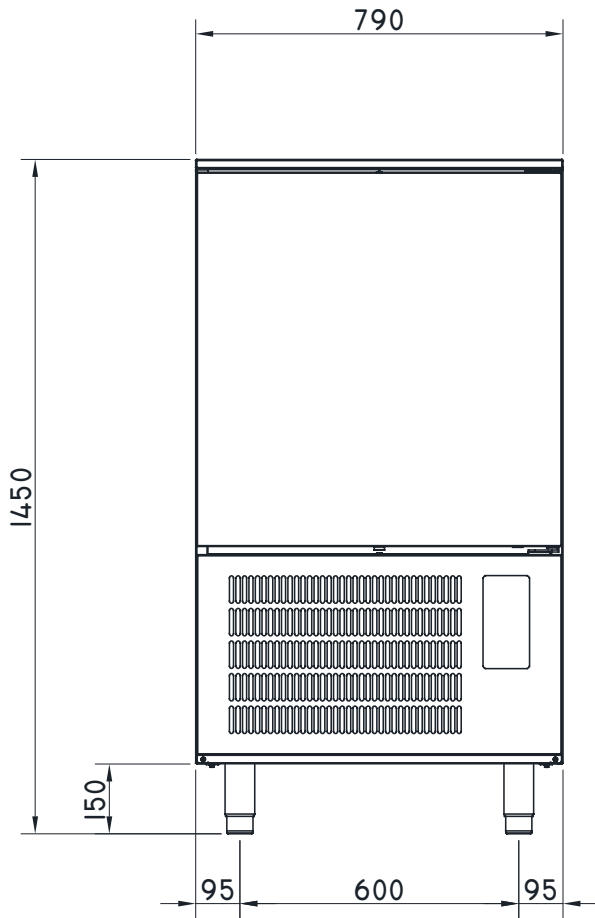
- Time or core probe control
- Internal glossy finish
- External scotch-brite finish
- 60 mm high density polyurethane foam insulation, CFC and HCFC-free
- Core probe included
- Removable grids-rack for easy cleaning
- Air condensation
- Electric defrosting
- Automatic cold holding at the end of cycle

DIMENSIONS

	BLAST CHILLER	PACKAGE
Width	790 mm	mm
Depth	830 mm	mm
Height	1450 mm	mm
Weight/volume		118 kg/1.19 m ³

POWER SUPPLY

Power loading	1.21 kW
Cooling power	1.17 kW
Max. power loading	1.21 kW
Voltage	230 V ~ 1N 50 Hz
Feed cable section	Cable included
Capacity	10 x 1/1 GN - 60x40
Pitch between the trays	67 mm



The manufacturer declines all responsibility due to errors and/or misprints.